

INNOVATION



6-Station Turret in Smallest Design

Simple Machine Integration without Hydraulics

Components ready for use with axis systems. Ideal for special-purpose machine building, machining small parts, as well as producing workpieces for the watch and jewellery industry.

Rotation Speed: 10,000 rpm
optional up to 150,000 rpm

Torque: 8 Nm

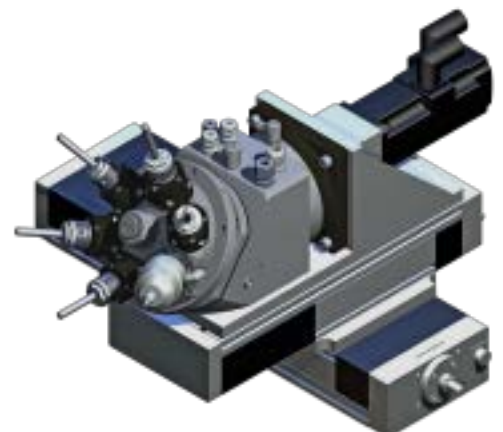
Drive: Servomotor or belt drive

Positioning: Torque-Motor

Indexing: Form closure 4 bar, no hydraulics

Pivoting: approx. 1 sec

Weight: approx. 15 kg



Flexible due to modular set-up:

- Flexible integration and drive
- Exchangeable spindles
- Quick-change system for low set-up times
- Turret as an exchange unit
- Maintenance-free



Options

Rotational speeds of up to 150,000 rpm
with air turbine spindles



Internal coolant through the spindles



Angular heads for internal machining



Angular Heads



Multi-Spindle Heads



Driven Tools



High-Speed Spindles



Machine Components



Special Versions



ROMAI Robert Maier GmbH

Florianstrasse 22
71665 Vaihingen/Enz-Horrheim
Germany

Tel.: +49 70 42 / 83 21 - 0
Fax: +49 70 42 / 83 21 - 22
E-mail: info@romai.de

www.romai.de